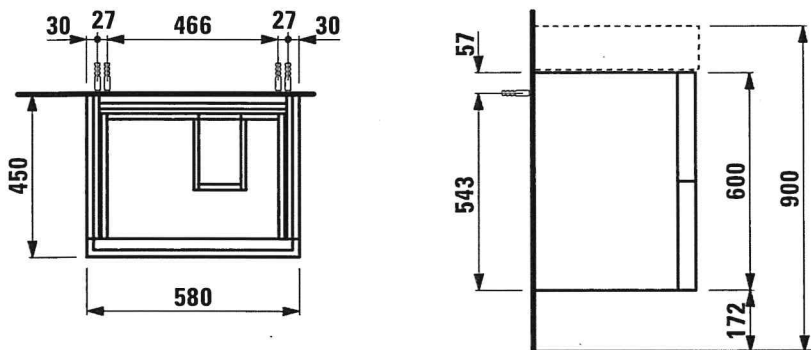




TECHNICAL DATA

Order no.	40756.8 / 2 drawers	Mounting acc. incl.	Installation set for furniture, order no. 49301.5, 49610.3
Dimensions (WxHxD)	580 x 600 x 450 mm	Mounting information	The walls installed on must meet the requirements of the furniture in terms of weight and the supplied fastening elements. If this cannot be guaranteed another method of installation needs to be chosen. For example with feet.
Matching for	washbasin shelf left, order no. 81033.5	Colours Body/Front	640 – White matt 641 – Pebble grey matt 642 – Slate grey matt
Specification	Body/Front – MDF board with lack laminate with ABS edges, inside melamine white 2 push and pull full extension drawers (soft-close mechanism), incl. organiser		
Weight	32,0 kg		
Accessories incl.	Drawer organizer, U-shaped, order no. 49611.3		
Accessories excl.	Feet (2 pieces), anodized aluminium, order no. 40766.0 Towel rail, anodized aluminium, order no. 49095.1 Space saving siphon, order no. 89424.0		

TECHNICAL DRAWINGS / S 1 : 20

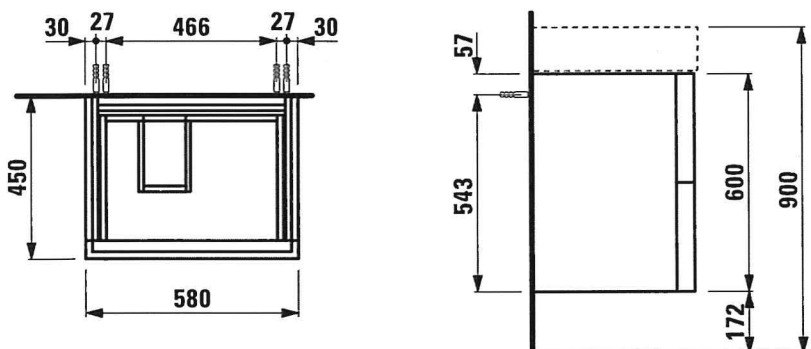




TECHNICAL DATA

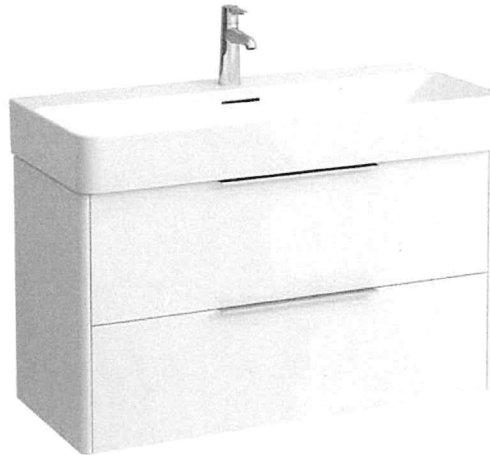
Order no.	40755.8 / 2 drawers	Mounting acc. incl.	Installation set for furniture, order no. 49301.5, 49610.3
Dimensions (WxHxD)	580 x 600 x 450 mm	Mounting information	The walls installed on must meet the requirements of the furniture in terms of weight and the supplied fastening elements. If this cannot be guaranteed another method of installation needs to be chosen. For example with feet.
Matching for	washbasin shelf right, order no. 81033.4	Colours Body/Front	640 – White matt 641 – Pebble grey matt 642 – Slate grey matt 643 – Ochre brown 644 – Mustard yellow 645 – Grey blue
Specification	Body/Front – MDF board with ABS edges, inside melamine white White matt, Pebble grey matt, Slate grey matt: lack laminate surface Ochre brown, Mustard yellow, Grey blue: laquered surface 2 push and pull full extension drawers (soft-close mechanism), incl. organiser		
Weight	32,0 kg		
Accessories incl.	Drawer organizer, U-shaped, order no. 49611.3		
Accessories excl.	Feet (2 pieces), anodized aluminium, order no. 40766.0 Towel rail, anodized aluminium, order no. 49095.1 Space saving siphon, order no. 89424.0		

TECHNICAL DRAWINGS / S 1 : 20



BASE FURNITURE FOR VAL

Vanity unit 40241.2



TECHNICAL DATA

Order no.	40241.2 / 2 drawers	Accessories incl.	Drawer organizer, U-shaped, order no. 49611.3
Dimensions (WxHxD)	930 x 515 x 391 mm	Accessories excl.	Feet (2 pieces), anodized aluminium, order no. 40299.0
Matching for	Washbasin, order no. 81028.7		Towel rail, anodized aluminium, order no. 49095.1
Specification	Body/Front		Space saving siphon, order no. 89424.0
	White matt:	Body MDF with PVC foil (post-forming)	
		Front MDF with PVC foil and ABS edges	
	White glossy, Traffic grey:	Body MDF with PET foil (post-forming)	
		Front MDF with PET foil and ABS edges	
	Elm light/dark:	Body particle board with CPL foil	
		Front melamine coated particle board with ABS edges	
		anodized aluminium handle bars on the top of the drawers	
		2 full extension drawers (soft-close mechanism)	
Weight	27,7 kg	Mounting acc. incl.	Installation set for furniture, order no. 49114.0, 49301.5
		Mounting information	The walls installed on must meet the requirements of the furniture in terms of weight and the supplied fastening elements. If this cannot be guaranteed another method of installation needs to be chosen. For example with feet.
		Colours	260 – White matt 261 – White glossy 262 – Light elm 263 – Dark brown elm 266 – Traffic grey 999 – 39 other lacquered colours on request

TECHNICAL DRAWINGS / S 1 : 20

